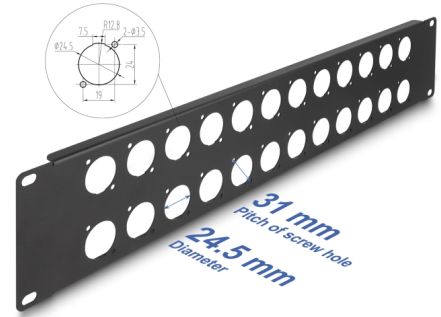


# Delock 19" D-Type Patch Panel 24 port 2U black

## Description

This patch panel by Delock can be mounted in a 19" rack. With its standardized dimensions, it is suitable for easy mounting of 24 D-type modules.



**Item no. 88055**

EAN: 4043619880553

Country of origin: China

Package: Box

## Technical details

- 24 D-type ports 24 x 19 mm
- For mounting in 19" racks, 2U
- Material: metal
- Colour: black
- Dimensions (LxWxH): ca. 483.0 x 88.0 x 12.5 mm

## Package content

- D-type patch panel
- 4 x screws
- 4 x caged nut

## Images



## General

Mounting type:	19 in
----------------	-------

## Physical characteristics

Material:	metal
Length:	483 mm
Width:	88 mm
Height:	12.5 mm
Colour:	black