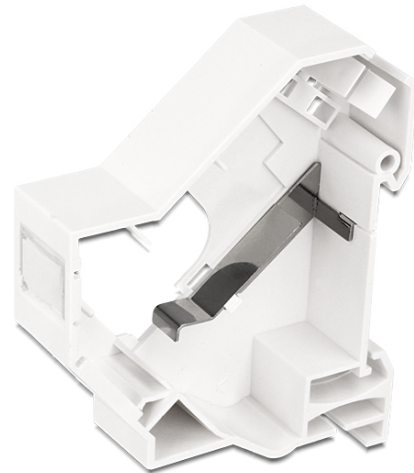


## Delock Keystone Mounting for DIN rail with grounding

### Description

This Keystone holder by Delock can be mounted on DIN rails. With its standardized dimensions, it is suitable for easy snap-in mounting of one Keystone module.



### Note

Due to the narrow design only keystone modules up to max. 17.4 mm width can be used.

### Specification

- One Keystone port 19.2 x 14.9 mm
- Mounting for 35 mm DIN rail
- Stackable
- Sheet metal for grounding Keystones with metal housing to the DIN rail
- Integrated name plate
- Colour: white
- Dimensions (LxWxH): ca. 78.5 x 65.0 x 18.0 mm

### Package content

- Keystone mounting
- Zip-tie

### Item no. 86232

EAN: 4043619862320

Country of origin: Taiwan, Republic of China

Package: Zip poly bag

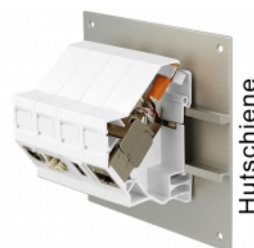
### Images



Anwendungsbeispiel mit Stecker



Anwendungsbeispiel mit Stecker



Hutschiene