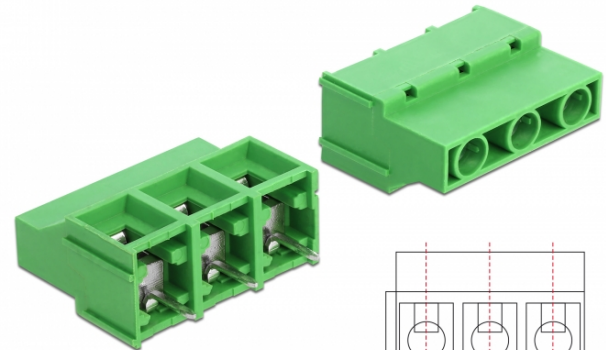


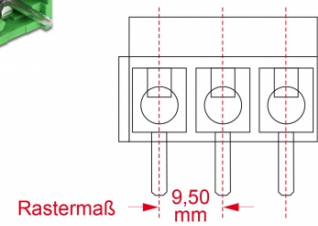
# Delock Terminal block for PCB soldering version 3 pin 9.50 mm pitch vertical 10 pieces

## Description

This terminal block by Delock is suitable for the mounting on a PCB. This can be soldered on a board, to create a screw connection. Furthermore, data or power cables can be connected via the terminal block.



10 Stück



## Specification

- Connectors:
  - 1 x 3 pin terminal block screw terminal
  - 1 x 3 soldering pin
- Pitch: 9.50 mm
- Environmental temperature: -40 °C ~ 105 °C
- Useable for a cable gauge from 26 to 10 AWG
- Withstanding voltage: AC 3000 V / 1 min
- Rated voltage according to: UL: 300 V, IEC: 750 V
- Rated current according to: UL: 30 A, IEC: 26 A
- Insulation resistance: 500 MΩ / DC 500 V
- Material: plastic
- Colour: green
- Dimensions (LxWxH): ca. 28.6 x 21.8 x 12.6 mm

## Item no. 66022

EAN: 4043619660223

Country of origin: China

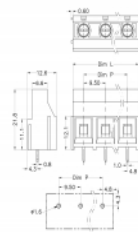
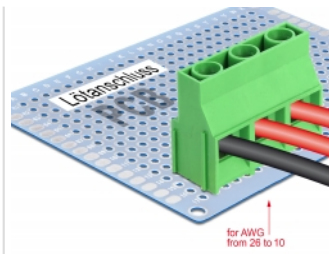
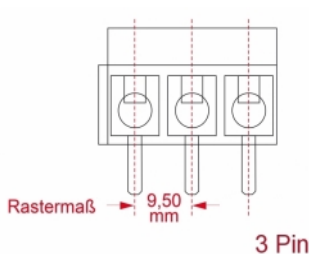
Package: Poly bag



## Package content

- 10 x Terminal block

## Images



General	
Suitable for conductor gauge:	26 - 10 AWG
Mounting type:	Soldering
Interface	
Connector 1:	1 x 3 pin terminal block screw terminal
Connector 2:	1 x 3 soldering pin
Technical characteristics	
Storage temperature:	-40 °C ~ 105 °C
Resistor:	500 MΩ / DC 500 V
Physical characteristics	
Pitch distance:	9.50 mm
Housing material:	Plastic
Length:	28.6 mm
Width:	21.8 mm
Height:	12.6 mm
Colour:	green